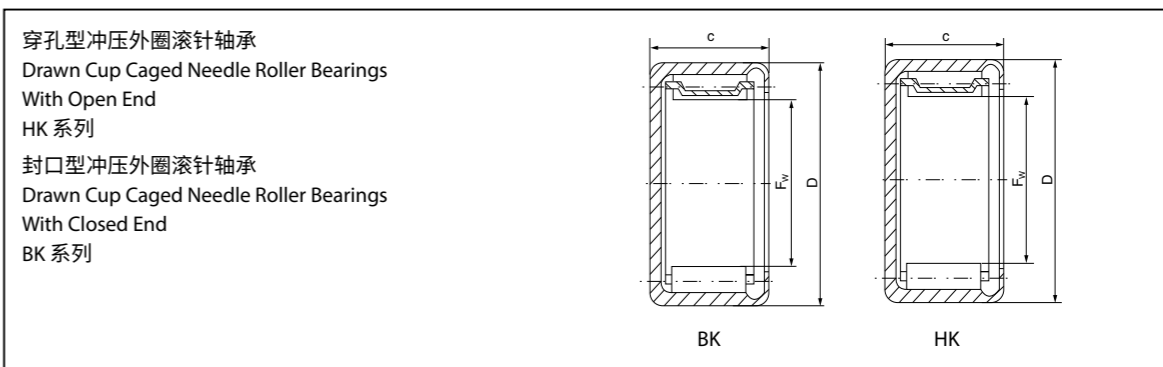


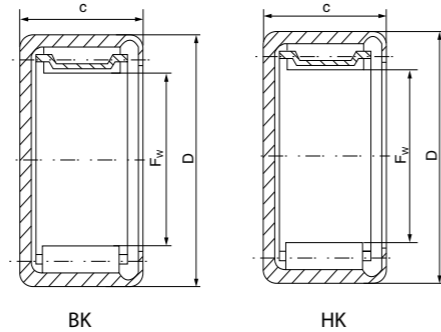
# 冲压外圈 Drawn cup bearings



轴径 Shaft Diameter	轴承型号 Bearing Designation				重量 Mass		外形尺寸 Boundary Dimensions			基本额定负荷 Basic Load Rating		极限转速 Limiting Speed
	HK	Original	BK	Original	HK	BK	F <sub>w</sub>	D	C	动负荷 Dynamic	静负荷 Static	
3	HK0306TN	--	--	--	1.0	--	3	6.5	6	1127	586	30000
4	HK0408TN	37941/4	BK0408	35941/4	1.4	1.6	4	8	8	1500	1200	30000
	HK0409TN	47941/4	BK0409	45941/4	1.6	1.8	4	8	9	1800	1400	30000
5	HK0508TN	37941/5	BK0508	35941/5	1.7	1.9	5	9	8	1900	1600	27000
	HK0509TN	47941/5	BK0509	45941/5	1.9	2.1	5	9	9	2300	2000	27000
6	HK0608TN	37941/6	BK0608	35941/6	1.9	2.2	6	10	8	2100	1900	25000
	HK0609TN	47941/6	BK0609	45941/6	2.1	2.4	6	10	9	2500	2400	25000
	HK0610TN	57941/6	BK0610	55941/6	2.4	2.7	6	10	10	2900	2900	25000
7	HK0708	37941/7	BK0708	35941/7	2.1	2.5	7	11	8	2300	2200	25000
	HK0709	47941/7	BK0709	45941/7	2.4	2.8	7	11	9	2700	2700	23000
	HK0710	57941/7	BK0710	55941/7	2.7	3.1	7	11	10	3100	3300	23000
	HK0712	67941/7	BK0712	65941/7	3.3	3.7	7	11	12	3900	4300	23000
8	HK0808	37941/8	BK0808	35941/8	2.4	2.9	8	12	8	2400	2400	20000
	HK0809	47941/8	BK0809	45941/8	2.7	3.2	8	12	9	2900	3100	20000
	HK0810	57941/8	BK0810	55941/8	2.9	3.4	8	12	10	3300	3700	20000
	HK0812	67941/8	BK0812	65941/8	3.6	4.1	8	12	12	4200	4900	18000
9	HK0908	37941/9	BK0908	35941/9	2.7	3.3	9	13	8	2700	2900	18000
	HK0909	47941/9	BK0909	45941/9	2.9	3.5	9	13	9	3300	3700	18000
	HK0910	57941/9	BK0910	55941/9	3.3	3.9	9	13	10	3700	4400	18000
	HK0912	67941/9	BK0912	65941/9	4.1	4.7	9	13	12	4700	5900	18000
10	HK0914	77941/9	BK0914	75941/9	4.9	5.5	9	13	14	5600	7400	18000
	HK1008	37941/10	BK1008	35941/10	2.9	3.6	10	14	8	2900	3200	16000
	HK1009	47941/10	BK1009	45941/10	3.1	3.8	10	14	9	3400	4000	16000
	HK1010	57941/10	BK1010	55941/10	3.6	4.3	10	14	10	3900	4800	16000
12	HK1012	67941/10	BK1012	65941/10	4.9	5.1	10	14	12	4900	6400	16000
	HK1014	77941/10	BK1014	75941/10	5.3	6.0	10	14	14	5800	8000	16000
	HK1208	37941/12	BK1208	35941/12	3.3	4.2	12	16	8	3100	3800	13000
	HK1209	47941/12	BK1209	45941/12	3.7	4.6	12	16	9	3700	4700	13000
14	HK1210	57941/12	BK1210	55941/12	4.1	5.0	12	16	10	4300	5600	13000
	HK1212	67941/12	BK1212	65941/12	5.1	6.0	12	16	12	5300	7500	13000
	HK1214	77941/12	BK1214	75941/12	6.0	6.9	12	16	14	6300	9400	13000
	HK1410	27941/14	BK1410	25941/14	8.3	9.6	14	20	10	4900	5800	14000
	HK1412	37941/14	BK1412	35941/14	10.1	11.4	14	20	12	6300	8100	14000
	HK1414	47941/14	BK1414	45941/14	12.0	13.3	14	20	14	7700	10400	14000
14	HK1416	57941/14	BK1416	55941/14	13.9	15.2	14	20	16	9000	12700	14000
	HK1418	67941/14	BK1418	65941/14	15.6	16.9	14	20	18	10200	15000	14000

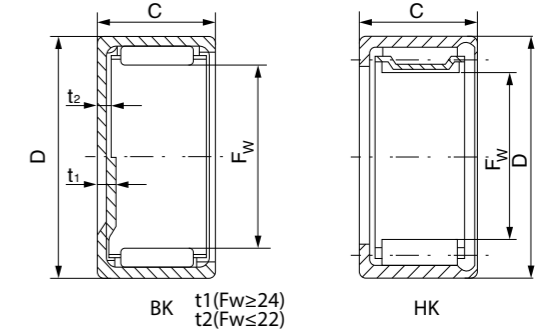
穿孔型冲压外圈滚针轴承  
Drawn Cup Caged Needle Roller Bearings  
With Open End  
HK 系列

封口型冲压外圈滚针轴承  
Drawn Cup Caged Needle Roller Bearings  
With Closed End  
BK 系列



穿孔型冲压外圈滚针轴承  
Drawn Cup Caged Needle Roller Bearings  
With Open End  
HK 系列

封口型冲压外圈滚针轴承  
Drawn Cup Caged Needle Roller Bearings  
With Closed End  
BK 系列

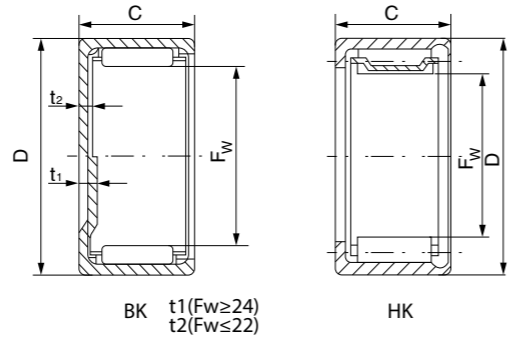


轴径 Shaft Diameter	轴承型号 Bearing Designation				重量 Mass		外形尺寸 Boundary Dimensions			基本额定负荷 Basic Load Rating		极限转速 Limiting Speed
	HK	Original	BK	Original	HK	BK	F <sub>w</sub>	D	C	动负荷 Dynamic	静负荷 Static	
14	HK1420	77941/14	BK1420	75941/14	8.3	9.6	14	20	20	11400	17300	14000
15	HK1510	27941/15	BK1510	25941/15	8.7	10.2	15	21	10	5100	6200	12000
	HK1512	37941/15	BK1512	35941/15	10.7	12.2	15	21	12	6600	8700	12000
	HK1514	47941/15	BK1514	45941/15	12.7	14.2	15	21	14	8000	11200	12000
	HK1516	57941/15	BK1516	55941/15	14.5	16.0	15	21	16	9400	13700	12000
	HK1518	67941/15	BK1518	65941/15	16.5	18.5	15	21	18	10700	16200	12000
16	HK1520	77941/15	BK1520	75941/15	18.5	20.0	15	21	20	11900	18600	12000
	HK1610	27941/16	BK1610	25941/16	9.0	10.6	16	22	10	5300	6600	11000
	HK1612	37941/16	BK1612	35941/16	11.0	12.6	16	22	12	6800	9300	12000
	HK1614	47941/16	BK1614	45941/16	13.0	14.6	16	22	14	8300	12000	12000
	HK1616	57941/16	BK1616	55941/16	15.1	16.7	16	22	16	9700	14600	12200
17	HK1618	67941/16	BK1618	65941/16	17.2	18.8	16	22	18	11100	17300	13000
	HK1620	77941/16	BK1620	75941/16	19.2	20.8	16	22	20	12400	19900	13500
	HK1710	27941/17	BK1710	25941/17	9.3	11.1	17	23	10	5500	7100	10500
	HK1712	37941/17	BK1712	35941/17	11.5	13.3	17	23	12	7100	9900	10500
	HK1714	47941/17	BK1714	45941/17	13.7	15.5	17	23	14	8600	12800	10500
18	HK1716	57941/17	BK1716	55941/17	15.9	17.7	17	23	16	10100	15600	11000
	HK1718	67941/17	BK1718	65941/17	18.1	19.9	17	23	18	11500	18400	11000
	HK1720	77941/17	BK1720	75941/17	20.5	22.3	17	23	20	13400	22400	11000
	HK1810	27941/18	BK1810	25941/18	9.9	11.9	18	24	10	5600	7500	9000
	HK1812	37941/18	BK1812	35941/18	12.1	14.1	18	24	12	7300	10500	9500
20	HK1814	47941/18	BK1814	45941/18	14.5	16.5	18	24	14	8900	13500	10000
	HK1816	57941/18	BK1816	55941/18	16.7	18.9	18	24	16	10400	16600	10000
	HK1818	67941/18	BK1818	65941/18	19.0	21.0	18	24	18	11900	19600	10050
	HK1820	77941/18	BK1820	75941/18	21.2	23.2	20	26	20	13300	22600	10050
	HK2010	27941/20	BK2010	25941/20	10.8	13.3	20	26	10	6000	8400	10000
22	HK2012	37941/20	BK2012	35941/20	13.3	15.7	20	26	12	7800	11800	10000
	HK2014	47941/20	BK2014	45941/20	15.7	18.2	20	26	14	9500	15100	10000
	HK2016	57941/20	BK2016	55941/20	18.2	20.7	20	26	16	11100	18500	10000
	HK2018	67941/20	BK2018	65941/20	20.8	23.3	20	26	18	12600	21800	10000
	HK2020	77941/20	BK2020	75941/20	23.3	25.8	20	26	20	14100	25200	10400
22	HK2210	27941/22	BK2210	25941/22	11.7	14.7	22	28	10	6300	9300	9400
	HK2212	37941/22	BK2212	35941/22	14.4	17.4	22	28	12	8200	11300	9400
	HK2214	47941/22	BK2214	45941/22	17.2	20.2	22	28	14	10000	16700	9600
	HK2216	57941/22	BK2216	55941/22	19.9	22.9	22	28	16	11700	20400	9600

轴径 Shaft Diameter	轴承型号 Bearing Designation				重量 Mass		外形尺寸 Boundary Dimensions			基本额定负荷 Basic Load Rating		极限转速 Limiting Speed
	HK	Original	BK	Original	HK	BK	F <sub>w</sub>	D	C	动负荷 Dynamic	静负荷 Static	
22	HK2218	67941/22	BK2218	65941/22	22.5	25.5	22	28	18	13300	24100	9600
	HK2220	77941/22	BK2220	55941/22	25.3	28.3	22	28	20	14900	27800	9600
25	HK2512	27941/25	BK2512	25941/25	18.3	22.2	25	32	12	9100	13200	8800
	HK2514	37941/25	BK2514	35941/25	21.9	25.8	25	32	14	11400	17600	8800
	HK2516	47941/25	BK2516	45941/25	25.2	29.1	25	32	16	13500	22000	8800
	HK2518	57941/25	BK2518	55941/25	28.8	32.7	25	32	18	15600	26400	8800
	HK2520	67941/25	BK2520	65941/25	32.3	36.2	25	32	20	17600	30800	8800
28	HK2524	77941/25	BK2524	55941/25	39.3	43.2	25	32	24	21300	39600	8800
	HK2812	27941/28	BK2812	25941/28	20.0	24.9	28	35	12	9500	14500	8000
	HK2814	37941/28	BK2814	35941/28	24.0	28.9	28	35	14	11900	19400	8000
	HK2816	47941/28	BK2816	45941/28	27.6	32.5	28	35	16	14200	24200	8000
	HK2818	57941/28	BK2818	55941/28	31.7	36.6	28	35	18	16300	29100	8000
30	HK2820	67941/28	BK2820	65941/28	35.5	40.4	28	35	20	18400	33900	8000
	HK2824	77941/28	BK2824	55941/28	43.2	48.1	28	35	24	22400	43600	8000
	HK3012	27941/30	BK3012	25941/30	21.4	27.0	30	37	12	10000	15800	6800
	HK3014	37941/30	BK3014	35941/30	25.5	31.1	30	37	14	12500	21100	6800
	HK3016	47941/30	BK3016	45941/30	29.6	35.2	30	37	16	14900	26400	6800
32	HK3018	57941/30	BK3018	55941/30	33.6	39.2	30	37	18	17100	31700	6800
	HK3020	67941/30	BK3020	65941/30	37.9	43.5	30	37	20	19300	37000	6800
	HK3024	77941/30	BK3024	55941/30	46.0	51.6	30	37	24	23500	47500	6800
	HK3212	27941/32	BK3212	25941/32	22.7	29.1	32	39	12	10500	17100	6400
	HK3214	37941/32	BK3214	35941/32	27.2	33.6	32	39	14	13100	22900	6400
35	HK3216	47941/32	BK3216	45941/32	31.3	37.7	32	39	16	15600	28600	6400
	HK3218	57941/32	BK3218	55941/32	35.8	42.2	32	39	18	17900	34300	6400
	HK3220	67941/32	BK3220	65941/32	40.4	46.8	32	39	20	20200	40000	6400
	HK3224	77941/32	BK3224	55941/32	49.0	55.4	32	39	24	24600	51400	6400
	HK3512	27941/35	BK3512	25941/35	24.5	32.1	35	42	12	10800	18500	6000
38	HK3514	37941/35	BK3514	35941/35	29.3	36.9	35	42	14	13600	24600	6000
	HK3516	47941/35	BK3516	45941/35	33.9	41.5	35	42	16	16100	30800	6000
	HK3518	57941/35	BK3518	55941/35	38.7	46.3	35	42	18	18600	37000	6000
	HK3520	67941/35	BK3520	65941/35	43.5	51.1	35	42	20	21000	43100	6000
	HK3524	77941/35	BK3524	55941/35	52.8	60.4	35	42	24	25500	55400	6000
38	HK3812	27941/38	BK3812	25941/38	26.4	35.3	38	45	12	11200	19800	5600
	HK3814	37941/38	BK3814	35941/38	31.5	40.4	38	45	14	14000	26400	5600
	HK3816	47941/38	BK3816	45941/38	36.4	45.3	38	45	16	16700	33000	5600

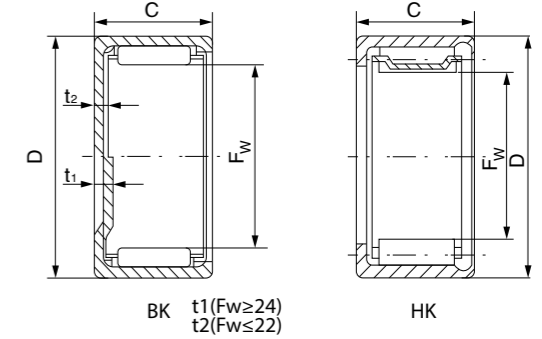
穿孔型冲压外圈滚针轴承  
Drawn Cup Caged Needle Roller Bearings  
With Open End  
HK 系列

封口型冲压外圈滚针轴承  
Drawn Cup Caged Needle Roller Bearings  
With Closed End  
BK 系列



穿孔型冲压外圈滚针轴承  
Drawn Cup Caged Needle Roller Bearings  
With Open End  
HK 系列

封口型冲压外圈滚针轴承  
Drawn Cup Caged Needle Roller Bearings  
With Closed End  
BK 系列



轴径 Shaft Diameter	轴承型号 Bearing Designation			重量 Mass	外形尺寸 Boundary Dimensions			基本额定负荷 Basic Load Rating		极限转速 Limiting Speed		
	Original	BK	Original		HK	BK	F <sub>w</sub>	D	C		动负荷 Dynamic	静负荷 Static
38	HK	Original	BK	Original	HK	BK	F <sub>w</sub>	D	C	Cr(N)	Cor(N)	油润滑 Oil
	HK3820	67941/38	BK3820	65941/38	46.7	55.6	38	45	20	21700	46200	5600
	HK3824	77941/38	BK3824	55941/38	56.7	65.6	38	45	24	26300	59400	5600
40	HK4012	27941/40	BK4012	25941/40	27.6	37.5	40	47	12	11600	21100	5200
	HK4014	37941/40	BK4014	35941/40	33.1	43.0	40	47	14	14500	28200	5200
	HK4016	47941/40	BK4016	45941/40	38.1	48.0	40	47	16	17300	35200	5200
	HK4018	57941/40	BK4018	55941/40	43.7	53.6	40	47	18	19900	42200	5200
	HK4020	67941/40	BK4020	65941/40	49.1	58.9	40	47	20	22500	49300	5200
	HK4024	77941/40	BK4024	75941/40	59.6	69.5	40	47	24	27300	63400	5200
	HK4028	87941/40	BK4028	85941/40	69.1	79.0	40	47	28	32100	77500	5200
42	HK4212	27941/42	BK4212	25941/42	29.1	40.0	42	49	12	12000	22400	5000
	HK4214	37941/42	BK4214	35941/42	34.7	45.6	42	49	14	15000	29900	5000
	HK4216	47941/42	BK4216	45941/42	40.1	51.0	42	49	16	17900	37400	5000
	HK4218	57941/42	BK4218	55941/42	45.8	56.7	42	49	18	20600	44900	5000
	HK4220	67941/42	BK4220	65941/42	51.4	62.3	42	49	20	23200	52300	5000
	HK4224	77941/42	BK4224	75941/42	62.5	73.4	42	49	24	28200	67300	5000
	HK4228	87941/42	BK4228	85941/42	73.6	84.5	42	49	28	33200	82300	5000
45	HK4512	27941/45	BK4512	25941/45	30.8	43.3	45	52	12	12300	23800	4800
	HK4514	37941/45	BK4514	35941/45	36.8	49.3	45	52	14	15400	31700	4800
	HK4516	47941/45	BK4516	45941/45	42.5	55.5	45	52	16	18400	39600	4800
	HK4518	57941/45	BK4518	55941/45	48.6	61.1	45	52	18	21200	47500	4800
	HK4520	67941/45	BK4520	65941/45	54.7	67.2	45	52	20	23900	55400	4800
	HK4524	77941/45	BK4524	75941/45	66.4	78.9	45	52	24	29000	71300	4800
	HK4528	87941/45	BK4528	85941/45	78.1	90.6	45	52	28	34100	87200	4800
50	HK5016	37941/50	BK5016	35941/50	52.7	68.1	50	58	16	21300	43600	4500
	HK5018	47941/50	BK5018	45941/50	60.0	75.4	50	58	18	24600	52300	4500
	HK5020	57941/50	BK5020	55941/50	67.3	82.7	50	58	20	27700	61000	4500
	HK5024	67941/50	BK5024	65941/50	82.3	97.7	50	58	24	33700	78500	4500
55	HK5516	37941/55	BK5516	35941/55	57.3	76.0	55	63	16	22300	47600	3800
	HK5518	47941/55	BK5518	45941/55	65.3	84.0	55	63	18	25700	57100	3800
	HK5520	57941/55	BK5520	55941/55	73.3	92.0	55	63	20	28900	66600	3800
	HK5524	67941/55	BK5524	65941/55	89.6	108.3	55	63	24	35200	85600	3800
60	HK6016	37941/60	BK6016	35941/60	62.4	84.6	60	68	16	23600	52800	3500
	HK6018	47941/60	BK6018	45941/60	71.1	93.3	60	68	18	27200	63400	3500
	HK6020	57941/60	BK6020	55941/60	79.8	102.0	60	68	20	30600	73900	3500
	HK6024	67941/60	BK6024	65941/60	97.6	119.8	60	68	24	37300	95000	3500
65	HK6516	37941/65	BK6516	35941/65	67.1	92.8	65	73	16	24400	56800	3200
	HK6518	47941/65	BK6518	45941/65	76.5	102.2	65	73	18	28200	68100	3200
	HK6520	57941/65	BK6520	55941/65	85.5	111.2	65	73	20	31700	79500	3200

轴径 Shaft Diameter	轴承型号 Bearing Designation			重量 Mass	外形尺寸 Boundary Dimensions			基本额定负荷 Basic Load Rating		极限转速 Limiting Speed		
	Original	BK	Original		HK	BK	F <sub>w</sub>	D	C		动负荷 Dynamic	静负荷 Static
65	HK	Original	BK	Original	HK	BK	F <sub>w</sub>	D	C	Cr(N)	Cor(N)	油润滑 Oil
	HK6524	67941/65	BK6524	65941/65	105.0	131	65	73	24	38600	102200	3200
70	HK	37941/70	BK7016	35941/70	71.8	101.8	70	78	16	25300	60800	3000
	HK	47941/70	BK7018	45941/70	81.8	111.8	70	78	18	29100	72900	3000
	HK	57941/70	BK7020	55941/70	91.9	121.8	70	78	20	32800	85100	3000
	HK	67941/70	BK7024	64941/70	112.3	142.3	70	78	24	39900	109400	3000