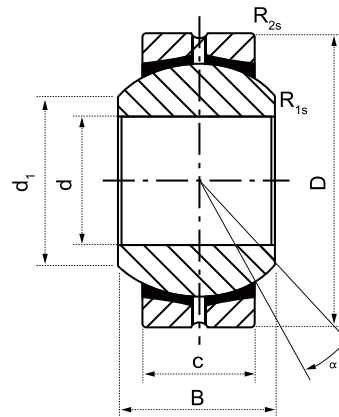
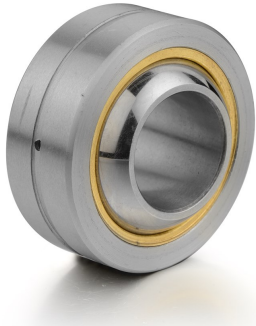


- 外圈球面鑲有青銅襯墊。
Outer race lined with bronze liner.
- 外圈有潤滑油槽和油孔。
With lubricating groove and holes in the outer ring.



| 軸承型號 Bearings number | 尺寸mm Dimensions | | | | | | | | 負荷KN Load ratings | | 重量 Weight (kg) |
|----------------------------|--------------------|----|----|------|-----------------------|------------------------|------------------------|--------|----------------------|--------------------------|----------------------|
| | d | D | B | C | d ₁ min | R _{1s} min | R _{2s} min | α ≈ | 動dyn. C | 靜stat. C ₀ | |
| PB 5 S | 5 | 16 | 8 | 6 | 7.7 | 0.3 | 0.3 | 13 | 3.3 | 7.8 | 0.009 |
| PB 6 S | 6 | 18 | 9 | 6.75 | 9.0 | 0.3 | 0.3 | 13 | 4.3 | 9.8 | 0.013 |
| PB 8 S | 8 | 22 | 12 | 9 | 10.4 | 0.3 | 0.3 | 14 | 6.8 | 16 | 0.024 |
| PB 10 S | 10 | 26 | 14 | 10.5 | 12.9 | 0.3 | 0.6 | 14 | 10 | 23 | 0.039 |
| PB 12 S | 12 | 30 | 16 | 12 | 15.4 | 0.3 | 0.6 | 13 | 13 | 31 | 0.058 |
| PB 14 S | 14 | 34 | 19 | 13.5 | 16.9 | 0.3 | 0.6 | 16 | 17 | 40 | 0.084 |
| PB 16 S | 16 | 38 | 21 | 15 | 19.4 | 0.3 | 0.6 | 15 | 21 | 50 | 0.111 |
| PB 18 S | 18 | 42 | 23 | 16.5 | 21.9 | 0.3 | 0.6 | 15 | 26 | 61 | 0.160 |
| PB 20 S | 20 | 46 | 25 | 18 | 24.4 | 0.3 | 0.6 | 15 | 31 | 73 | 0.210 |
| PB 22 S | 22 | 50 | 28 | 20 | 25.8 | 0.3 | 0.6 | 15 | 38 | 88 | 0.260 |
| PB 25 S | 25 | 56 | 31 | 22 | 29.6 | 0.6 | 0.6 | 15 | 47 | 110 | 0.390 |
| PB 30 S | 30 | 66 | 37 | 25 | 34.8 | 0.6 | 0.6 | 17 | 63 | 148 | 0.610 |