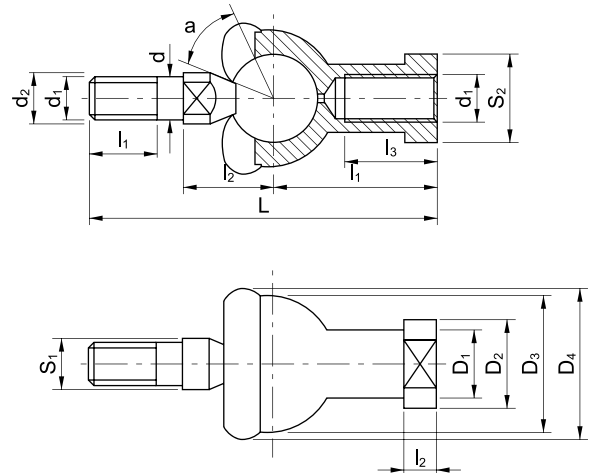


●球頭座為附有帶內螺紋的軸向伸出杆，螺紋有左、右旋之分，用鋅基合金製造。  
Ball joint housing is an axial shank with the female thread, It is made up of zinc base alloy, stretching rod with right or left-hand thread.



軸承型號 Bearings number	尺寸 Dimensions (mm)															負荷KN Load ratings	重量 Weight (kg)	
	d	d <sub>3</sub>	d <sub>2</sub> min	d <sub>3</sub> max	l <sub>1</sub> min	l <sub>2</sub>	S <sub>1</sub>	L max	L <sub>1</sub>	L <sub>2</sub> max	L <sub>3</sub> min	D <sub>1</sub> max	D <sub>2</sub> max	D <sub>3</sub> max	S <sub>2</sub>			a
SQZ 5-RS	5	M5×0.8	9	20	8	11	7	46	24	4	12	9	11	17	9	15	2.8	0.025
SQZ 6-RS	6	M6×1	10	20	11	12.2	8	55.2	28	5	15	10	13	20	11	15	3.7	0.041
SQZ 8-RS	8	M8×1.25	12	24	12	16	10	6.5	32	5	16	12.5	16	24	14	15	5.8	0.075
SQZ 10-RS	10	M10×1.25	14	30	15	19.5	11	74.5	35	6.5	18	15	19	28	17	15	8.4	0.12
SQZ 10-RS-1	10	M10×1.5	14	30	21	19.5	11	80.5	35	6.5	18	15	19	28	17	15	8.4	0.12
SQZ 12-RS	12	M12×1.25	17	32	17	21	15	84	40	6.5	20	17.5	22	32	19	15	11	0.18
SQZ 12-RS-1	12	M12×1.75	17	32	24	21	15	91	40	6.5	20	17.5	22	32	19	15	11	0.18
SQZ 14-RS	14	M14×1.5	19	38	22	23.5	17	103	45	8	25	20	25	36	22	11	15	0.27
SQZ 14-RS-1	14	M14×2	19	38	28	23.5	17	109	45	8	25	20	25	36	22	11	15	0.27
SQZ 16-RS	16	M16×1.5	22	44	23	25.5	19	112	50	8	27	22	27	40	22	11	15	0.36
SQZ 16-RS-1	16	M16×2	22	44	29	25.5	19	118	50	8	27	22	27	40	22	11	15	0.36
SQZ 18-RS	18	M18×1.5	23	45	25	31	20	130.5	58	10	32	25	31	45	27	11	19	0.54
SQZ 20-RS	20	M20×1.5	27	50	25	29	24	133	63	10	38	27.5	34	45	30	7.5	19	0.57
SQZ 22-RS	22	M22×1.6	27	52	26	33	24	145	70	12	43	30	37	50	32	7.5	23	0.76

球頭座杆螺紋依然可為左旋，若是左旋，軸承型號和螺紋標記需加“L”螺紋標記應加“左”，例如：SQZL5-RS M5左-6H，不帶密封罩產品型號為SQZ...  
The shank of ball joint housing may be left-hand thread, for left-hand thread suffix is added to bearings number and thread sign, e.g. SQZL5-RS M5L-6H, the bearings number without seal is SQZ...